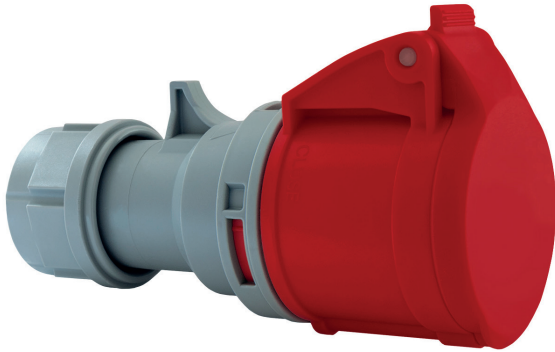
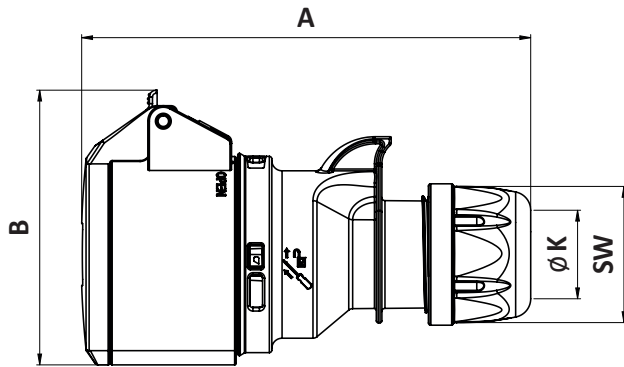


POWtec CEE Screwless Sockets IP44



- Splash-proof, IP44
- Hinged lid with thumb grip
- Screwless connection technology
- Quick release locking system
- Nickel-plated contacts

Maximum Conductor Cross-section		
Current Rating	Flexible	Solid
16A	4mm ²	6mm ²
32A	6mm ²	10mm ²



Dimensions (mm)						
Poles	3	4	5	3	4	5
Current	16A			32A		
A	133	138	145	161	161	168
B	74	82	89	94	94	99
K	6-15	6-15	8-16	11.5-20	11.5-20	11.5-20
SW	42	42	42	50	50	50
Weight (g)	136	161	193	228	243	271

Voltage		110 V~	230 V~	400 V~
Frequency		50/60 Hz		
Designation		4h		
Current	Poles	Part No.	Part No.	Part No.
16A	3	POWtecS-316Y-T044-SL	POWtecS-316B-T044-SL	-
16A	4	POWtecS-416Y-T044-SL	POWtecS-416B-T044-SL	POWtecS-416R-T044-SL
16A	5	-	POWtecS-516B-T044-SL	POWtecS-516R-T044-SL
32A	3	POWtecS-332Y-T044-SL	POWtecS-332B-T044-SL	-
32A	4	POWtecS-432Y-T044-SL	POWtecS-432B-T044-SL	POWtecS-432R-T044-SL
32A	5	-	POWtecS-532B-T044-SL	POWtecS-532R-T044-SL